

RAIN RN 150

Rain is very proud to introduce new versions of the well known family of the electric valves RN150.

Thanks to a long study of the fluid's dynamic this small dimension doesn't prejudice the loss of charge, that remains low until more than 35 liters per minute.

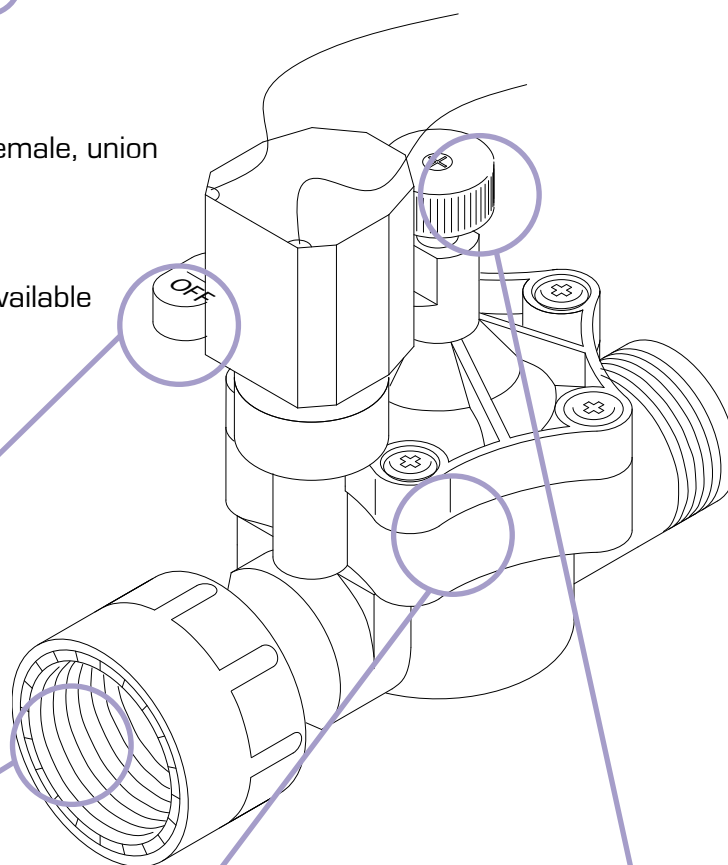
The wide range of possible combinations and the extremely competitive price, makes this valve economic and suitable for different kind of installations, in small and medium residential applications.

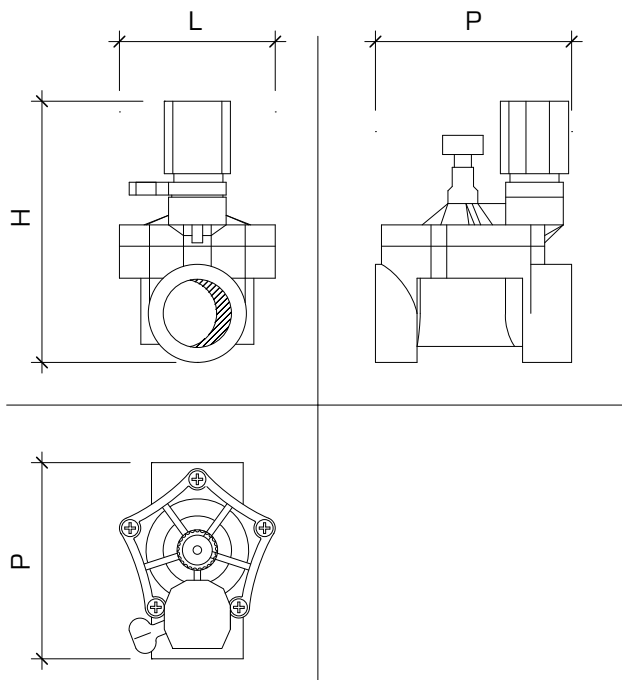
This line of electric valves can count on 13 (thirteen) versions, 7 (seven) with flow control, 6 (six) without, from 1/2" up to 3/4" and 1", with the male thread or the female thread and even with the unique Rain solution of the union connection.



TECHNICAL FEATURES

- 1 Bleed handle for manual opening
- 2 Different threads available: male, female, union
- 3 Single piece co-injected diaphragm
- 4 Flow control adjustment handle available





Dimensions

	3/4" M	1" M	1/2" F	3/4" F	1" F	1" MxU	1" UxU
H	11.4	11.4	11.4	11.4	11.4	11.4	11.4
P	11.5	11.6	9.2	9.2	9.2	12.8	14.1
L	7.1	7.1	7.1	7.1	7.1	7.1	7.1

Technical Features

- PA 6 30% fiberglass
- Single-piece diaphragm for reliable leak-free valve closing
- Self cleaning stainless-steel metering pin
- Stainless-steel diaphragm differential spring for smooth closing
- Solenoid certificate CE, IP 68 9
- PN12 tested piece by piece at 14 bar
- Bleed handle for manual opening with internal bleed
- Energy efficient solenoid 0,2 amp, 4,8 VAC

Operating Conditions

- Pressure: min 1.0 bar - max 12.0 bar
- Temperature: +4° C/70° C

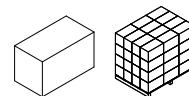
Available Versions

- Standard solenoid: 24 VAC
- Available solenoid: 12 VDC; 24 VDC; 110 VAC; 9 VDC
- Latching
- Flow Control

LOSS OF CHARGE*

	1/2"	3/4"	1"
20 l/min	0.35	0.35	0.30
30 l/min	0.52	0.52	0.45
40 l/min	0.70	0.60	0.60
50 l/min	0.80	0.80	0.70
60 l/min	0.80	0.80	0.70
70 l/min	0.85	0.85	0.75
80 l/min	0.95	0.95	0.85
90 l/min	1.05	1.05	0.95

* in bar.



Cod.	Models Versions without flow control	Carton Qty	Pallet Qty
100.4600710	RN 150 3/4" M	24	1440
100.4600910	RN 150 1" M	24	1440
100.4800710	RN 150 3/4" F	24	1440
100.4800910	RN 150 1" F	24	1440
100.4600915	RN 150 1" MxUN	24	1440
100.4600916	RN 150 1" UNxUN	24	1440
Versions with flow control			
100.4400711	RN 150 3/4" M W/FC	24	1440
100.4400911	RN 150 1" M W/FC	24	1440
100.4500511	RN 150 1/2" F W/FC	24	1440
100.4500711	RN 150 3/4" F W/FC	24	1440
100.4500911	RN 150 1" F W/FC	24	1440
100.4400915	RN 150 1" MxUN W/FC	24	1440
100.4400916	RN 150 1" UNxUN W/FC	24	1440