

RAIN RN 180

Rain RN180 is the family of electric valves dedicated for agriculture and big installations with high flow.

2 kg of weight made of virgin nylon plus 30% of fibreglass is the starting condition for the excellence for an electric valve for these applications.

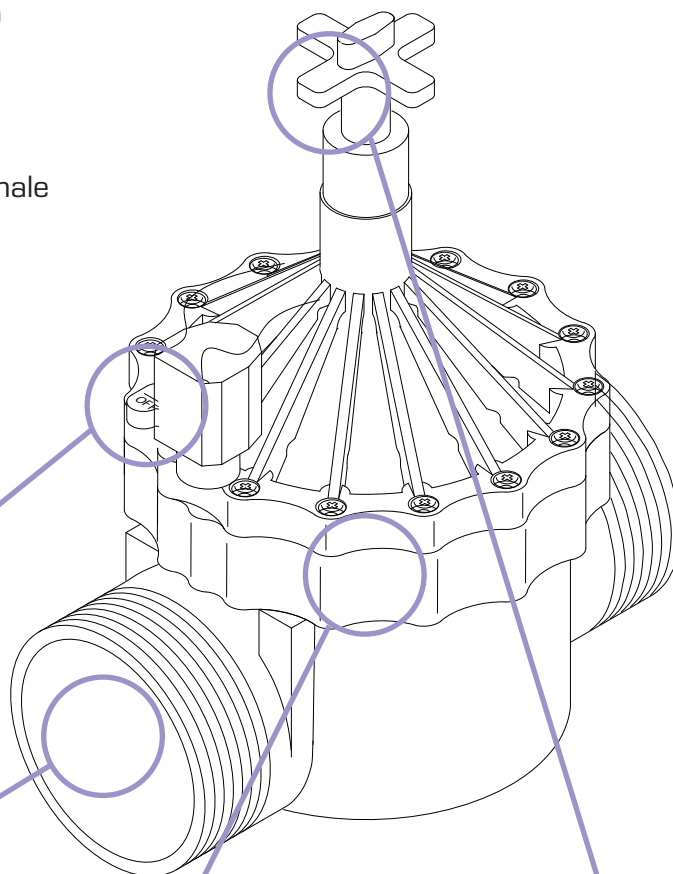
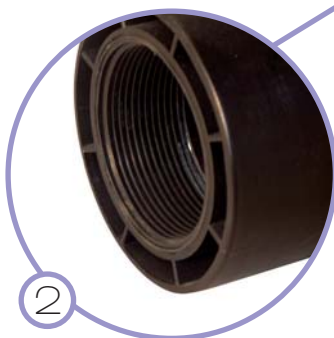
Strong and reliable is studied to face even extreme conditions of flow, also thanks to its safe closing process to prevent water hammer.

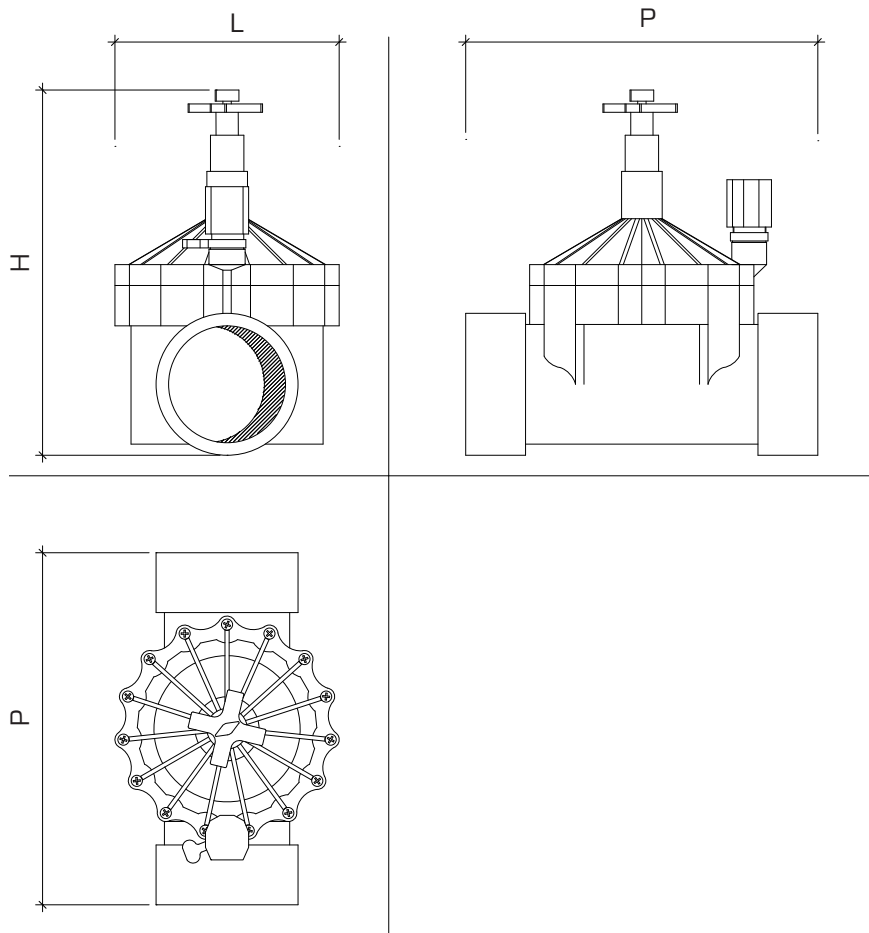
This line can count on 3 (tree) versions, from the 2" up to 3" with male thread or female.



TECHNICAL FEATURES

- 1 Bleed handle for manual opening
- 2 Different threads available: male, female
- 3 Assembled diaphragm
- 4 Flow control adjustment handle available





Dimensions

	3" M	3" F	2" F
H	25.0	25.0	25.0
P	24.0	25.3	25.3
L	17.0	17.0	17.0

Technical Features

- PA 6 30% fiberglass
- Self cleaning stainless-steel metering pin
- Stainless-steel diaphragm differential spring for smooth closing
- Solenoid certificate CE, IP 68 9
- PN12 tested piece by piece at 14 bar
- Bleed handle for manual opening with internal bleed
- Energy efficient solenoid 0,2 amp, 4,8 VA
- Flow Control

Operating Conditions

- Pressure: min 1.0 bar - max 12.0 bar
- Temperature: +4° C/70° C

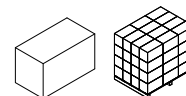
Versions Available

- Standard solenoid: 24 VAC
- Available solenoid: 12 VDC; 24 VDC; 110 VAC; 9 VDC Latching

LOSS OF CHARGE*

	2"	3"
200 l/min	0.07	0.05
300 l/min	0.09	0.07
400 l/min	0.12	0.09
500 l/min	0.14	0.12
600 l/min	0.16	0.14
700 l/min	0.19	0.16
800 l/min	0.25	0.18
900 l/min	0.31	0.23
1000 l/min	0.38	0.28
1100 l/min	0.47	0.35

*In bar.



Cod.	Models	Carton Qty	Pallet Qty
100.1802510	RN 180 PLUS 2" F W/FC	6	96
100.1803410	RN 180 PLUS 3 F W/FC	6	96
100.1803510	RN 180 PLUS 3" M W/FC	6	96